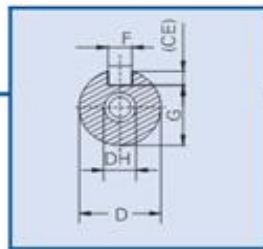
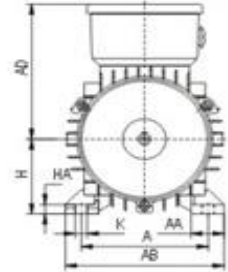
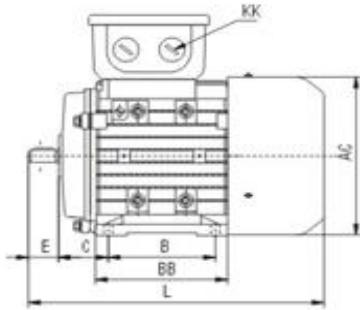


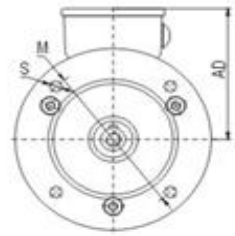
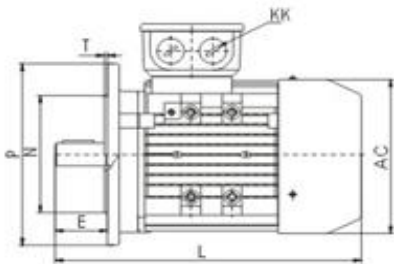


OVERALL DIMENSIONS FOR MG ALUMINIUM SERIES

IM B3

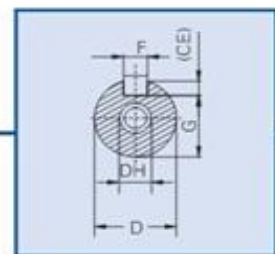
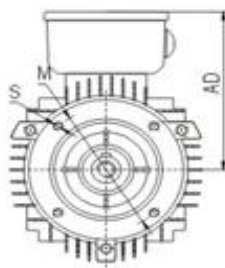
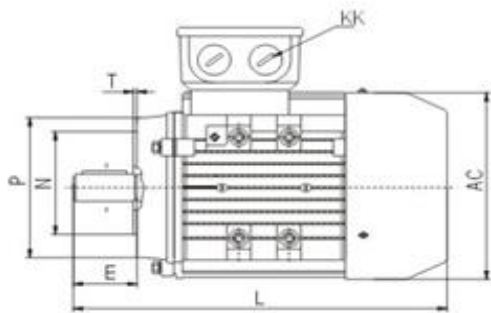


IM B5



Frame size	A	AA	AB	BB	HA	AC	AD	B	C	D	DH	E	F	G	H	K	KK		L	B5				
																	METRIC	PG		M	N	P	S	T
56	90	23	115	88	7	110	100	71	36	9	M4x12	20	3	7.2	56	5.8	2-M20x1.5	2-PG13.5	199	100	80	120	φ7	3.0
63	100	24	135	100	7	120	109	80	40	11	M4x12	23	4	8.5	63	7.0	2-M20x1.5	2-PG13.5	217	115	95	140	φ10	3.0
71	112	26	150	110	8	136	127	90	45	14	M5x12	30	5	11	71	7.0	2-M20x1.5	2-PG13.5	245	130	110	160	φ12	3.5
80	125	35	165	125	9	155	134	100	50	19	M6x16	40	6	15.5	80	10.0	2-M25x1.5	2-PG16	287	165	130	200	φ12	3.5
90S	140	37	180	125	10	175	140	100	56	24	M8x19	50	8	20.0	90	10.0	2-M25x1.5	2-PG16	315	165	130	200	φ12	3.5
90L	140	37	180	150	10	175	140	125	56	24	M8x19	50	8	20.0	90	10.0	2-M25x1.5	2-PG16	340	165	130	200	φ12	3.5
100L	160	40	205	172	11	196	160	140	63	28	M10x22	60	8	24.0	100	12.0	2-M32x1.5	2-PG21	385	215	180	250	φ15	4.0
112M	190	41	230	181	12	220	178	140	70	28	M10x22	60	8	24.0	112	12.0	2-M32x1.5	2-PG21	400	215	180	250	φ15	4.0
132S	216	51	270	186	15	260	206	140	89	38	M12x28	80	10	33.0	132	12.0	2-M32x1.5	2-PG21	483	265	230	300	φ15	4.0
132M	216	51	270	224	15	260	206	178	89	38	M12x28	80	10	33.0	132	12.0	2-M32x1.5	2-PG21	510	265	230	300	φ15	4.0

IM B14



Frame size	AC	AD	D	DH	E	F	G	KK		L	B14				
								METRIC	PG		M	N	P	S	T
56	110	100	9	M4*12	20	3	7.2	2-M20*1.5	2-PG13.5	199	65	50	80	M5	2.5
63	130	109	11	M4*12	23	4	8.5	2-M20*1.5	2-PG13.5	217	75	60	90	M5	2.5
71	145	127	14	M5*12	30	5	11.0	2-M20*1.5	2-PG13.5	245	85	70	105	M6	2.5
80	175	134	19	M6*16	40	6	15.5	2-M25*1.5	2-PG16	287	100	80	120	M6	3.0
90S	195	140	24	M8*19	50	8	20.0	2-M25*1.5	2-PG16	315	115	95	140	M8	3.0
90L	195	140	24	M8*19	50	8	20.0	2-M25*1.5	2-PG16	340	115	95	140	M8	3.0
100L	215	160	28	M10*22	60	8	24.0	2-M32*1.5	2-PG21	385	130	110	160	M8	3.5
112M	240	178	28	M10*22	60	8	24.0	2-M32*1.5	2-PG21	400	130	110	160	M8	3.5
132S	275	206	38	M12*28	80	10	33.0	2-M32*1.5	2-PG21	483	165	130	200	M10	3.5
132M	275	206	38	M12*28	80	10	33.0	2-M32*1.5	2-PG21	510	165	130	200	M10	3.5